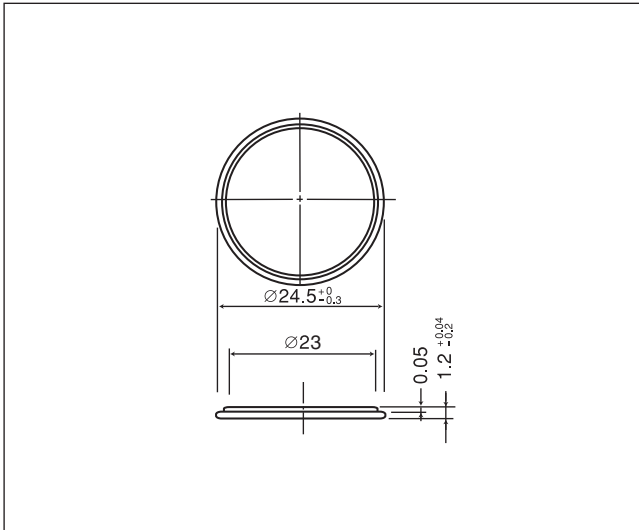


## CR2412

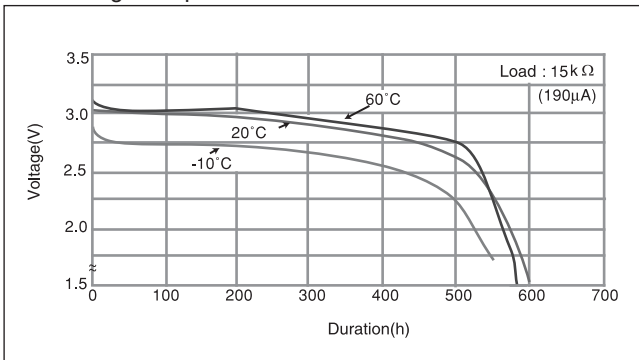
### ■ Dimensions(mm)



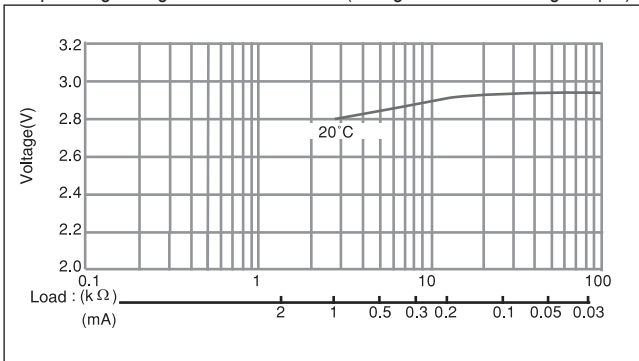
### ■ Specification

Nominal voltage(V)	3
Nominal capacity(mAh)	100
Continuous drain(mA)	0.2
Operating temperature(°C)	-30 to +60

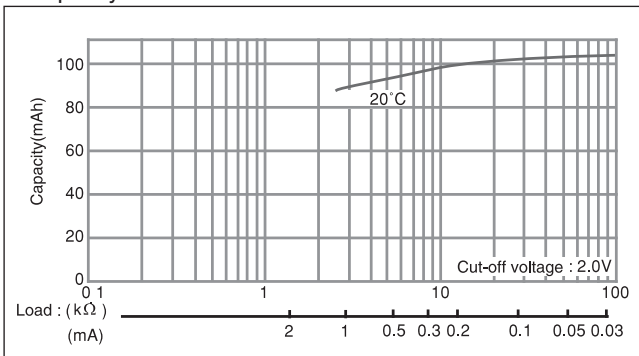
### ■ Discharge temperature characteristics



### ■ Operating voltage vs. load resistance(voltage at 50% discharge depth)

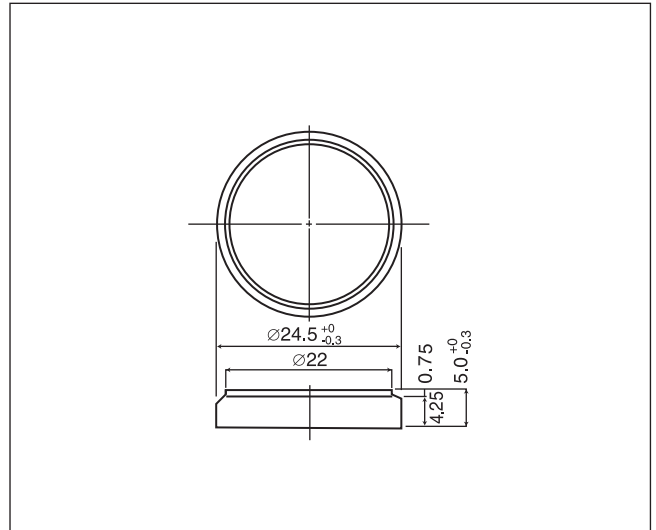


### ■ Capacity vs. load resistance



## CR2450

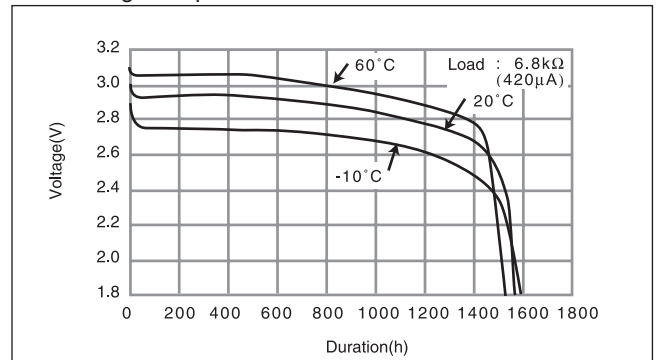
### ■ Dimensions(mm)



### ■ Specification

Nominal voltage(V)	3
Nominal capacity(mAh)	620
Continuous drain(mA)	0.2
Operating temperature(°C)	-30 to +60

### ■ Discharge temperature characteristics



### ■ Operating voltage vs. load resistance(voltage at 50% discharge depth)

